

# DELGARD™ PREMIER ALUMINUM FENCING

DELGARD PREMIER ALUMINUM FENCING  
8600 RIVER ROAD, DELAIR, NJ, 08110  
TOLL FREE: 1-800-235-0185  
PHONE: (856) 663-2900  
FAX: (856) 663-1297  
www.delgard.com

- SIZE (H)       COLOR
- 48"       BLACK
- 60"       BRONZE
- 72"       HUNTER GREEN
- SANDSTONE
- WHITE

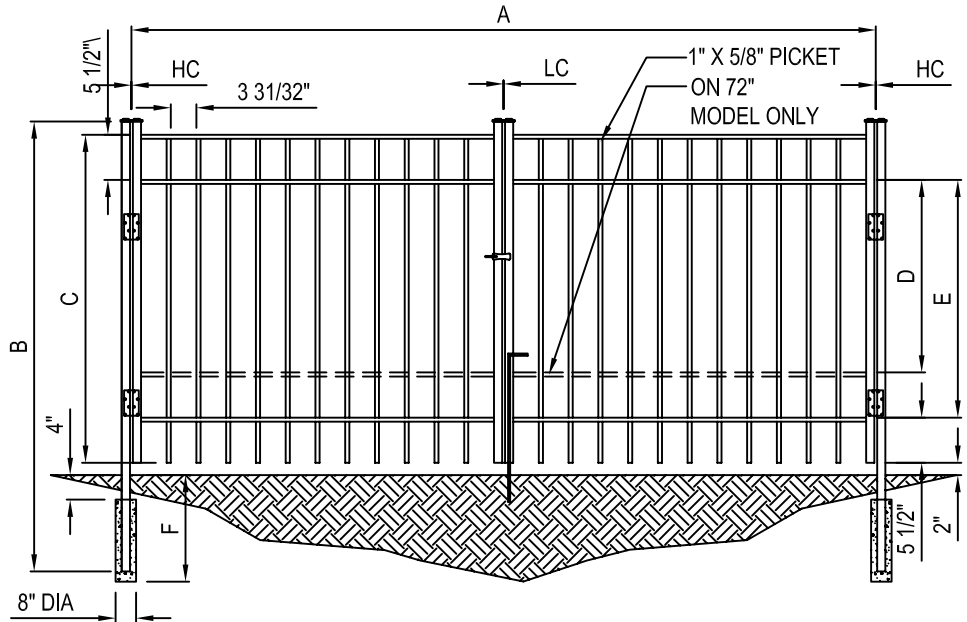
- PICKET STYLE       STYLE
- ARCHED       DOUBLE
- STRAIGHT       SINGLE

A	B	C	D
36"	60"	49"	66"
OR			
48"			

**SINGLE GATE**

A	B	C	D	E	F
96"	70"	48"	N/A	37"	21"
OR	88"	60"	N/A	49"	27"
120"	106"	72"	51 1/2"	N/A	33"

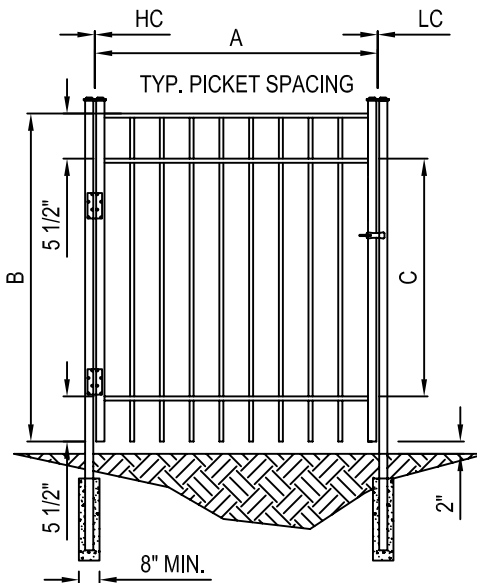
**DOUBLE GATE**



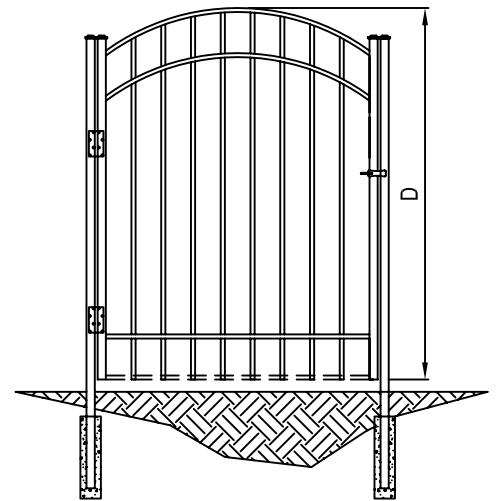
**DOUBLE GATE**

ACCESSORIES

- ALUMINUM POST CAPS
- BALL CAPS
- BASE FLANGE
- WELDED BASE FLANGE
- BUTTERFLY SCROLL
- ESTATE SCROLL
- CIRCLE (INSTALLED)
- ROYAL FINIAL
- TRIAD



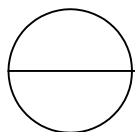
**STRAIGHT STYLE**



**ARCHED STYLE**

**NOTES:**

1. INSTALLATION TO BE COMPLETED IN ACCORDANCE WITH MANUFACTURER'S SPECIFICATIONS.
2. ALL DIMENSIONS ARE CONSIDERED TRUE AND REFLECT MANUFACTURER'S SPECIFICATIONS.
3. DO NOT SCALE DRAWING.
4. CONTRACTOR'S NOTE: FOR PRODUCT AND COMPANY INFORMATION VISIT [www.CADdetails.com/info](http://www.CADdetails.com/info)  
REFERENCE NUMBER 4140-038.



**AERO GRADE FENCES & GATES**  
ELBA AERO GATE