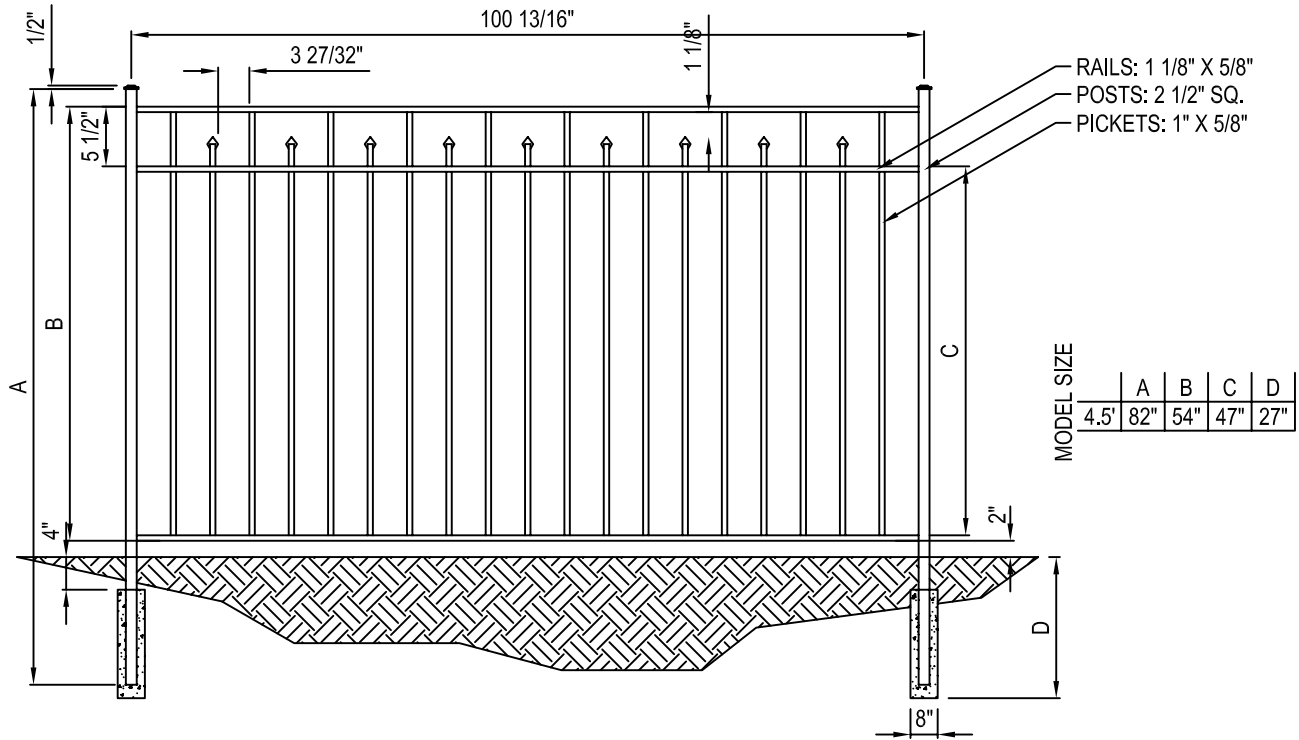


DELGARD™ PREMIER ALUMINUM FENCING

DELGARD PREMIER ALUMINUM FENCING
8600 RIVER ROAD, DELAIR, NJ, 08110
TOLL FREE: 1-800-235-0185
PHONE: (856) 663-2900
FAX: (856) 663-1297
www.delgard.com

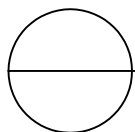


ELEVATION VIEW

- | | | | |
|--|---|---|---|
| <input checked="" type="checkbox"/> SIZE (H) | <input checked="" type="checkbox"/> COLOR | <input checked="" type="checkbox"/> ACCESSORIES | |
| <input type="checkbox"/> 54" | <input type="checkbox"/> BLACK | <input type="checkbox"/> ALUMINUM POST CAPS | <input type="checkbox"/> BUTTERFLY SCROLL |
| | <input type="checkbox"/> BRONZE | <input type="checkbox"/> BALL CAPS | <input type="checkbox"/> ESTATE SCROLL |
| | <input type="checkbox"/> HUNTER GREEN | <input type="checkbox"/> BASE FLANGE | <input type="checkbox"/> CIRCLE (INSTALLED) |
| | <input type="checkbox"/> SANDSTONE | <input type="checkbox"/> WELDED BASE FLANGE | <input type="checkbox"/> ROYAL FINIAL |
| | <input type="checkbox"/> WHITE | <input type="checkbox"/> STATIONARY WALL FLANGE | <input type="checkbox"/> TRIAD |
| | | <input type="checkbox"/> ADJUSTABLE WALL FLANGE | |

NOTES:

1. INSTALLATION TO BE COMPLETED IN ACCORDANCE WITH MANUFACTURER'S SPECIFICATIONS.
2. ALL DIMENSIONS ARE CONSIDERED TRUE AND REFLECT MANUFACTURER'S SPECIFICATIONS.
3. DO NOT SCALE DRAWING.
4. CONTRACTOR'S NOTE: FOR PRODUCT AND COMPANY INFORMATION VISIT www.CADdetails.com/info REFERENCE NUMBER 4140-014.



AERO GRADE FENCES & GATES
GAURDIAN DORIA AERO GRADE FENCE