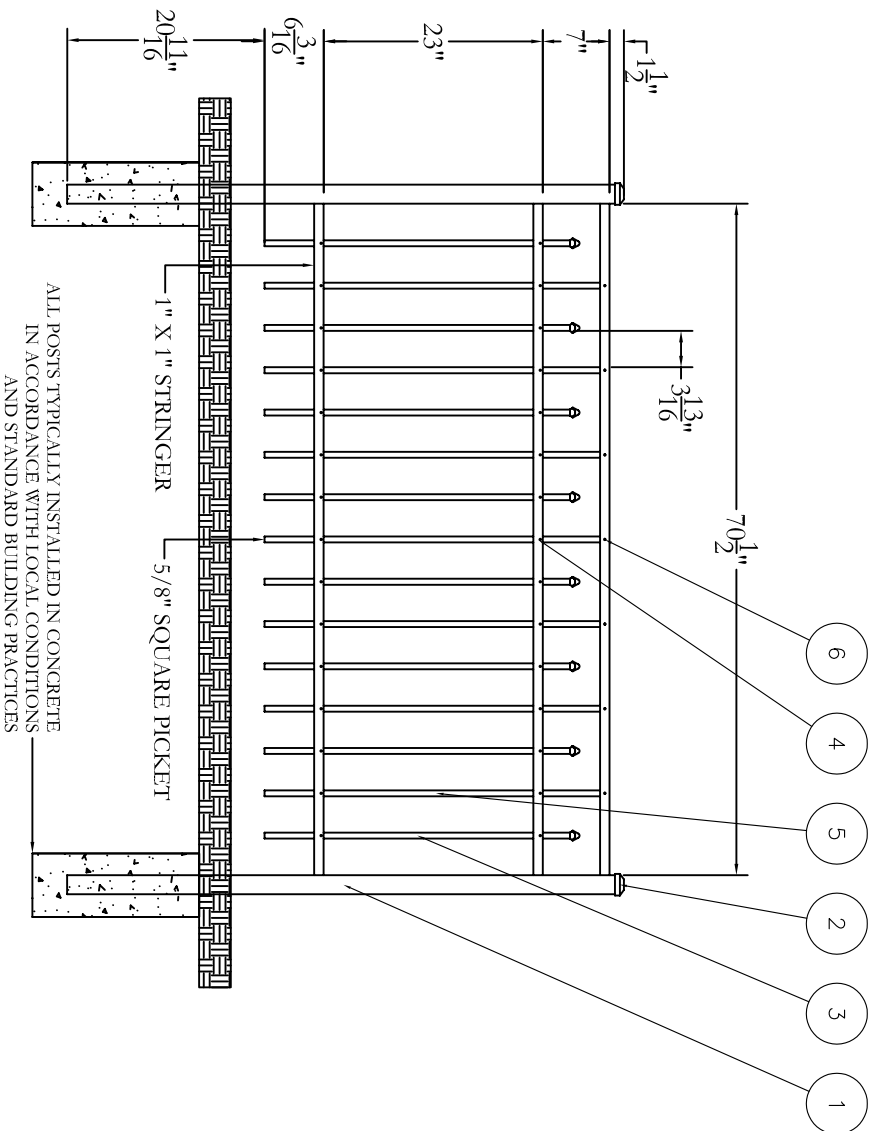
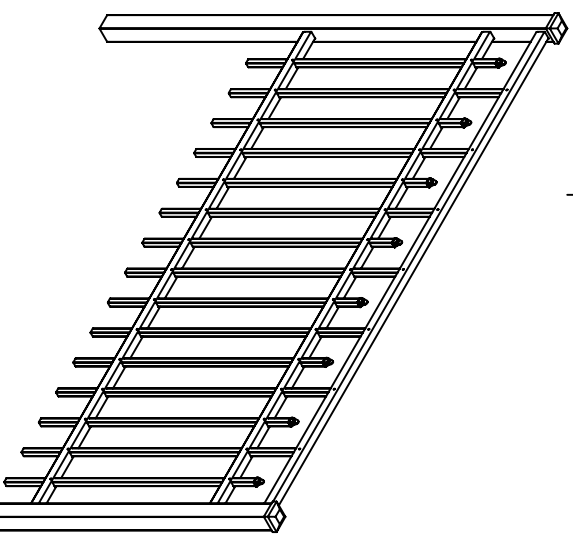


ITEM QTY	NAME
1	2" POST
2	2" ALUMINUM POST CAP
3	R200 - 36" PICKET
4	2 72" - 15 HOLE RESIDENTIAL STRINGER
5	7 R202 - 36" PICKET
6	1 72" - 7 HOLE RESIDENTIAL HEADER




ALL POSTS TYPICALLY INSTALLED IN CONCRETE IN ACCORDANCE WITH LOCAL CONDITIONS AND STANDARD BUILDING PRACTICES

© 2005. This drawing may not be altered or reproduced without the permission of Jerth Manufacturing Co., Inc.



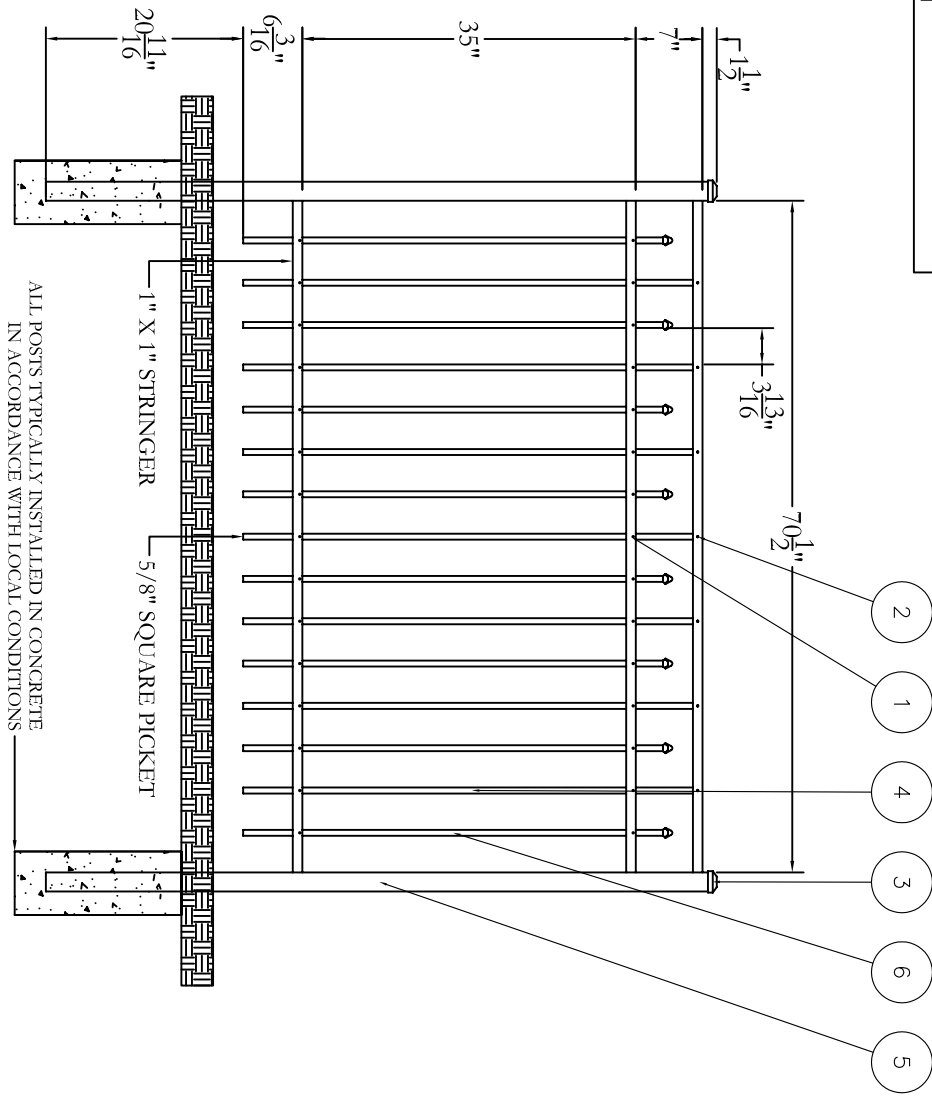
DATE	BY	DESCRIPTION	REVISION
NC		INITIAL RELEASE	

  
 Jerth Manufacturing Co., Inc.  
 Philadelphia, PA 19154  
 (800) 344-2242

DRAWING:  
**RESIDENTIAL FENCE**  
**STYLE #200 - 36" HEIGHT**

SIZE	DWG NO.	REV
D	RS36U200SN	NC
SCALE	DATE	SHEET
	3-1-04	1 OF 1

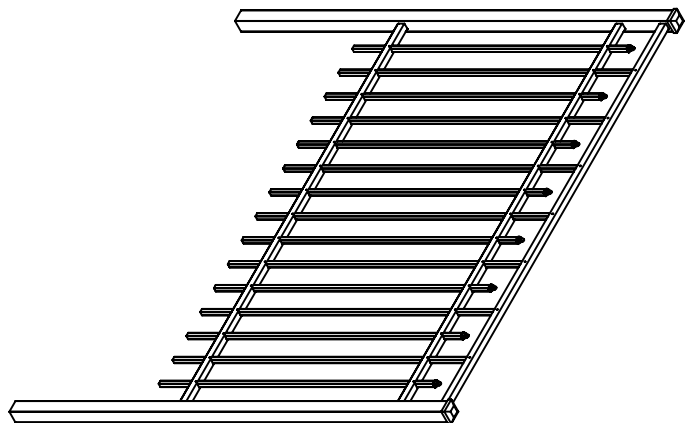
ITEM	QTY	NAME
1	2	72" - 15 HOLE RESIDENTIAL STRINGER
2	1	72" - 7 HOLE RESIDENTIAL HEADER
3	2	2" ALUMINUM POST CAP
4	7	R202 - 48" PICKET
5	2	2" POST
6	8	R200 - 48" PICKET



ALL POSTS TYPICALLY INSTALLED IN CONCRETE  
IN ACCORDANCE WITH LOCAL CONDITIONS  
AND STANDARD BUILDING PRACTICES

© 2005. This drawing may not be altered  
or reproduced without the permission of  
Jerth Manufacturing Co., Inc.

DATE	BY	DESCRIPTION	REVISION	DATE	BY	APPROVED
NC		INITIAL RELEASE				

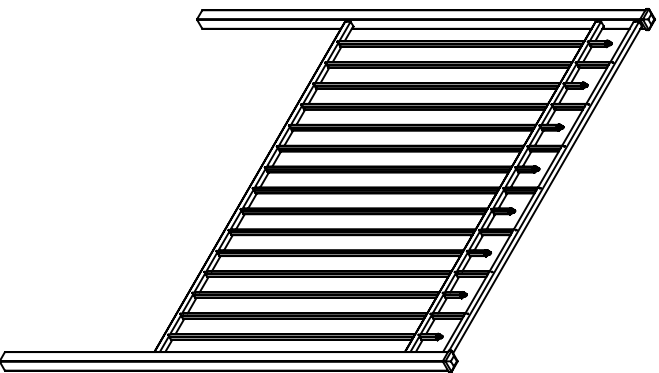
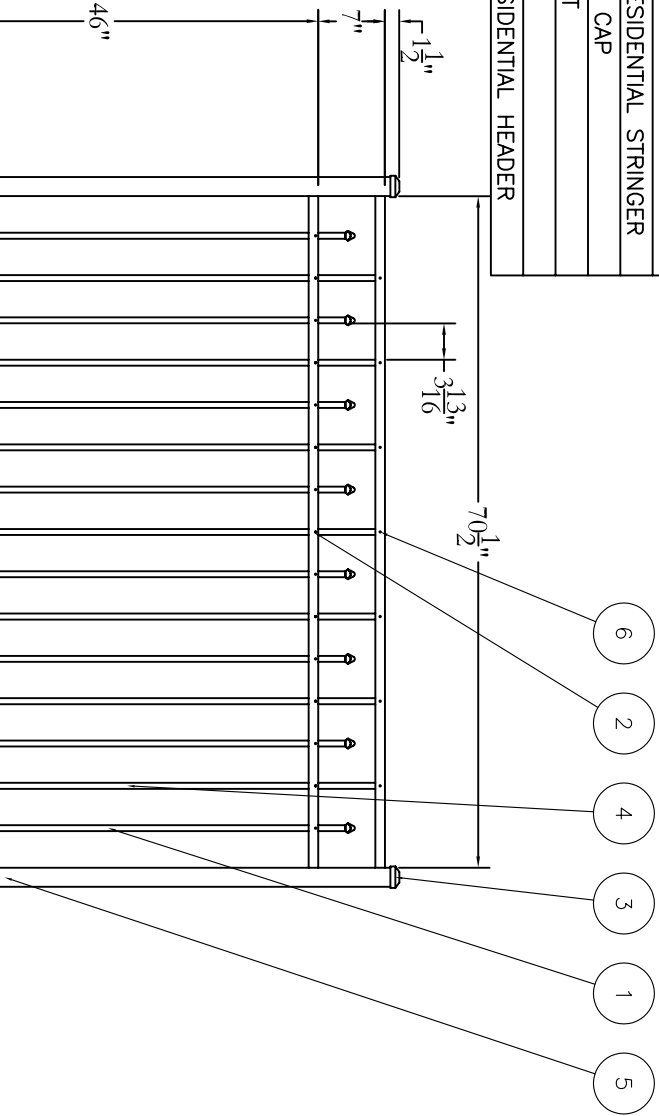


*Jerth*  
Manufacturing Co., Inc.  
Philadelphia, PA 19154  
(800) 344-2242

DRAWING:  
RESIDENTIAL FENCE  
STYLE #200 - 48" HEIGHT

SIZE	DWG NO.	REV
D	RS48U200SN	NC
SCALE	DATE	SHEET
	3-1-04	1 OF 1

ITEM	QTY	NAME
1	8	R200 - 54" PICKET
2	2	72" - 15 HOLE RESIDENTIAL STRINGER
3	2	2" ALUMINUM POST CAP
4	7	R202 - 54" PICKET
5	2	2" POST
6	1	72" - 7 HOLE RESIDENTIAL HEADER



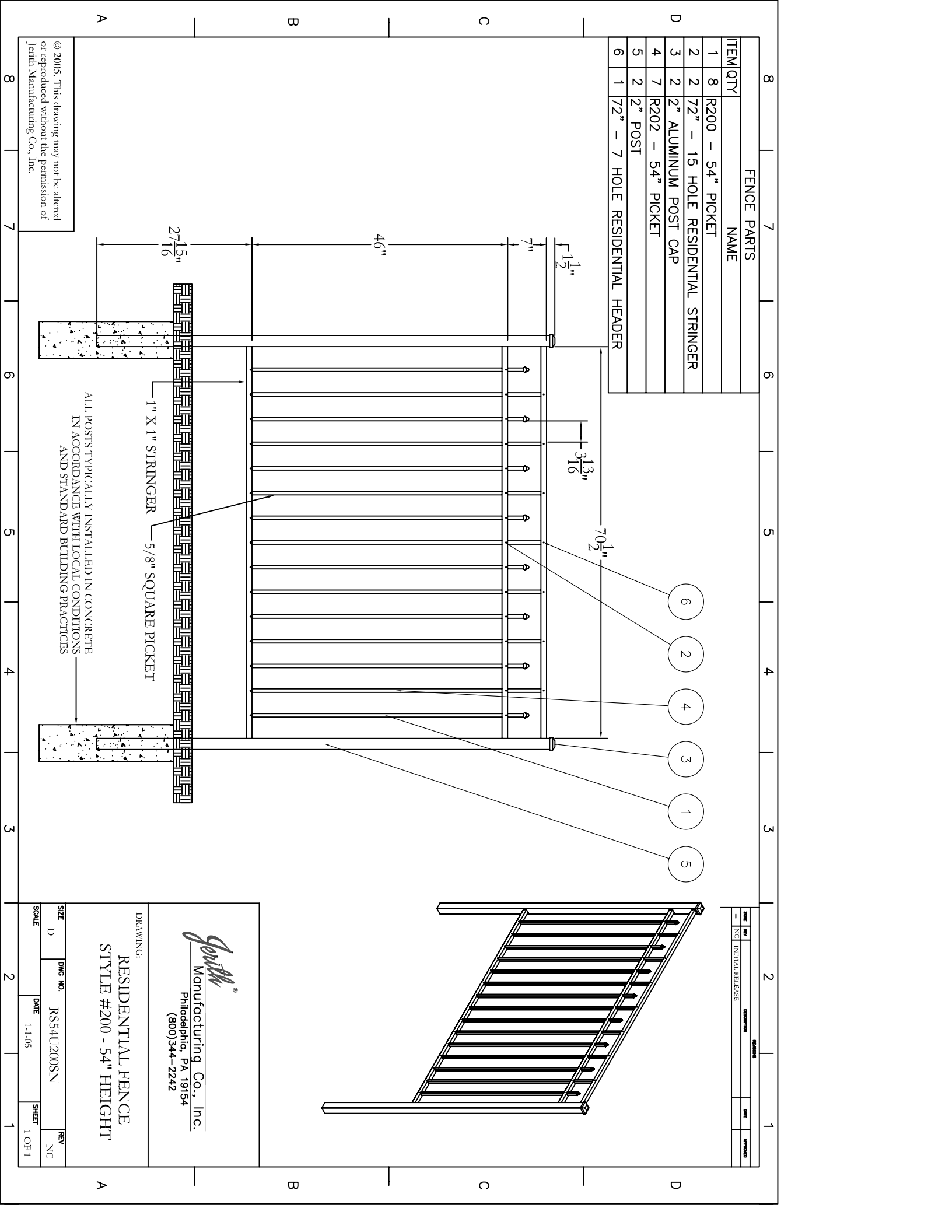
DATE	BY	DESCRIPTION	REVISION	DATE	BY	APPROVED
NC	NC	INITIAL RELEASE				

*South*  
 Manufacturing Co., Inc.  
 Philadelphia, PA 19154  
 (800) 344-2242

DRAWING:  
 RESIDENTIAL FENCE  
 STYLE #200 - 54" HEIGHT

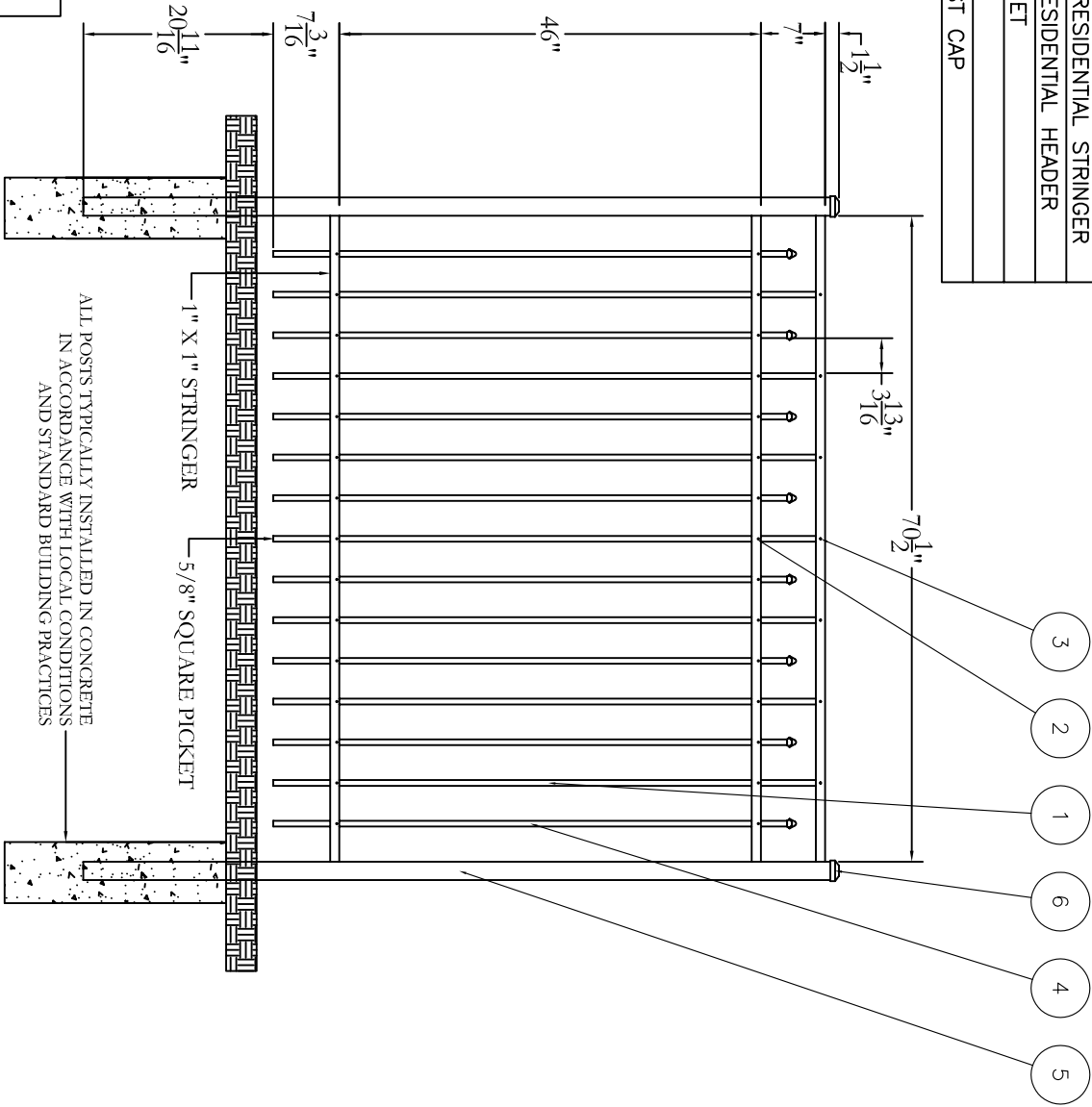
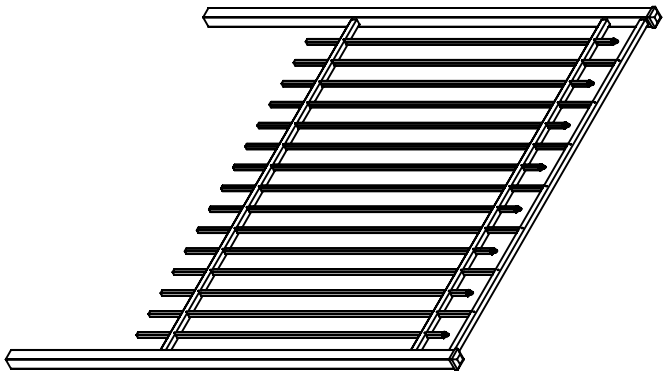
SIZE	DWG NO.	DATE	SHEET	REV
D	RS54U200SN	1-1-05	1 OF 1	NC

© 2005. This drawing may not be altered or reproduced without the permission of Jerth Manufacturing Co., Inc.



DATE	BY	DESCRIPTION	REVISION	DATE	BY	APPROVED
NC		INITIAL RELEASE				

ITEM	QTY	NAME
1	7	R202 - 60" PICKET
2	2	72" - 15 HOLE RESIDENTIAL STRINGER
3	1	72" - 7 HOLE RESIDENTIAL HEADER
4	8	R200 - 60" PICKET
5	2	2" POST
6	2	2" ALUMINUM POST CAP



ALL POSTS TYPICALLY INSTALLED IN CONCRETE  
IN ACCORDANCE WITH LOCAL CONDITIONS  
AND STANDARD BUILDING PRACTICES

© 2005. This drawing may not be altered  
or reproduced without the permission of  
Jerth Manufacturing Co., Inc.

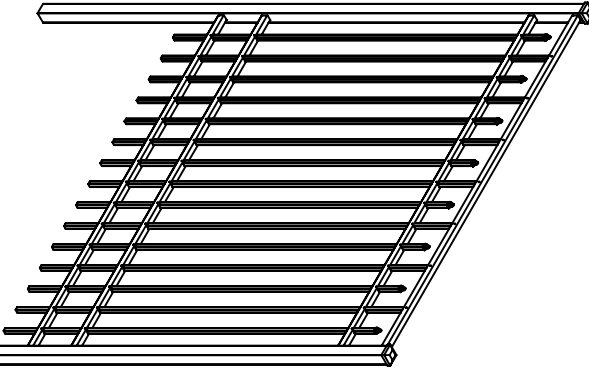
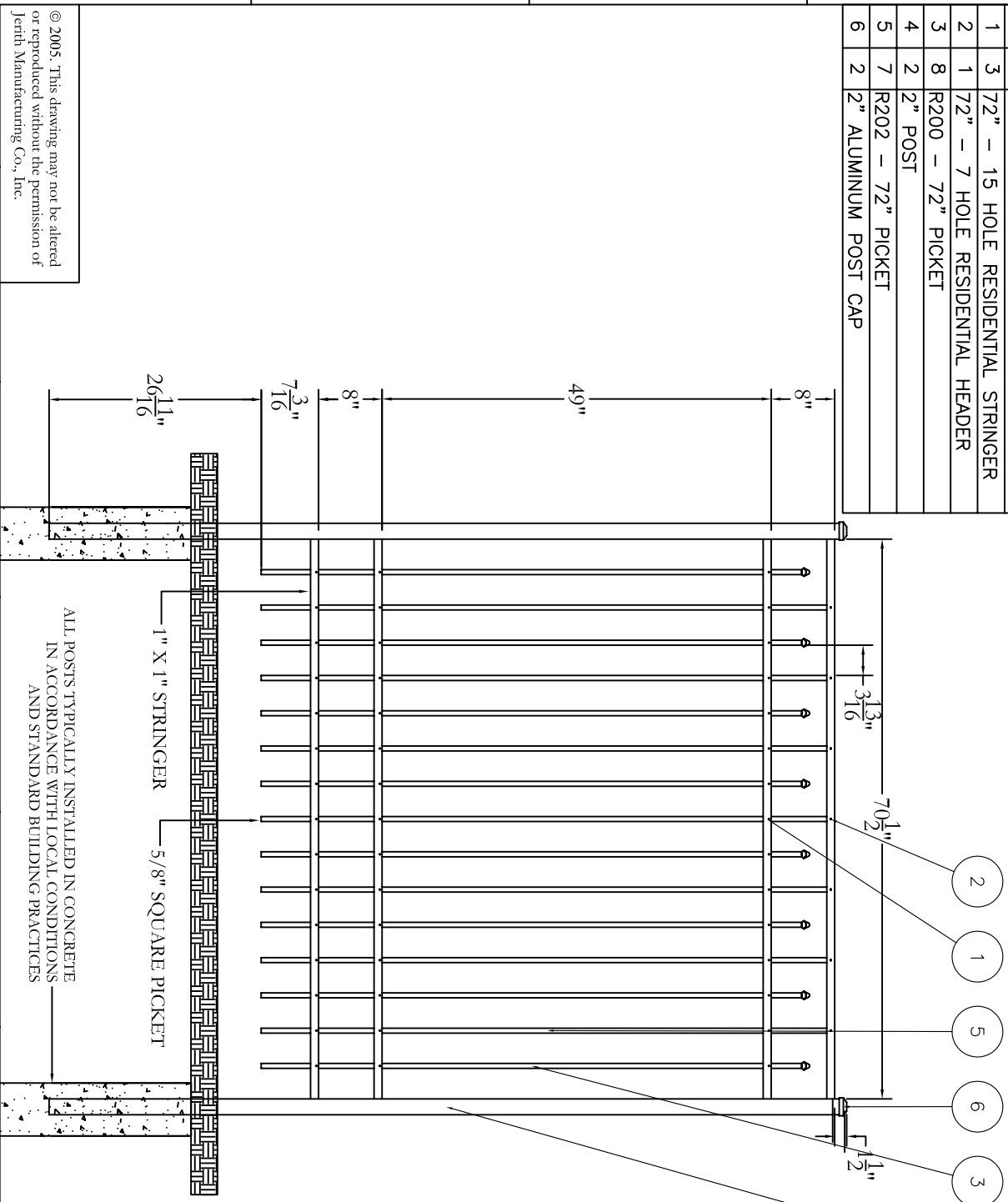
*Jerth*  
Manufacturing Co., Inc.  
Philadelphia, PA 19154  
(800) 344-2242

DRAWING:  
**RESIDENTIAL FENCE  
STYLE #200 - 60" HEIGHT**

SIZE D	DWG NO. RS60U200SN	REV NC
SCALE 1-1.05	DATE 1-1-05	SHEET 1 OF 1

ITEM QTY	NAME
1	3 72" - 15 HOLE RESIDENTIAL STRINGER
2	1 72" - 7 HOLE RESIDENTIAL HEADER
3	8 R200 - 72" PICKET
4	2 2" POST
5	7 R202 - 72" PICKET
6	2 2" ALUMINUM POST CAP

DATE	BY	DESCRIPTION	REVISION	DATE	BY	DESCRIPTION
NC	NC	INITIAL RELEASE				



ALL POSTS TYPICALLY INSTALLED IN CONCRETE IN ACCORDANCE WITH LOCAL CONDITIONS AND STANDARD BUILDING PRACTICES

1" X 1" STRINGER  
5/8" SQUARE PICKET

*South*  
Manufacturing Co., Inc.  
Philadelphia, PA 19154  
(800) 344-2242

DRAWING:  
RESIDENTIAL FENCE  
STYLE #200 - 72" HEIGHT

SIZE	DWG NO.	REV
D	RS72U200SN	NC
SCALE	DATE	SHEET
1-1.05	1-1-05	1 OF 1

© 2005. This drawing may not be altered or reproduced without the permission of Jerth Manufacturing Co., Inc.