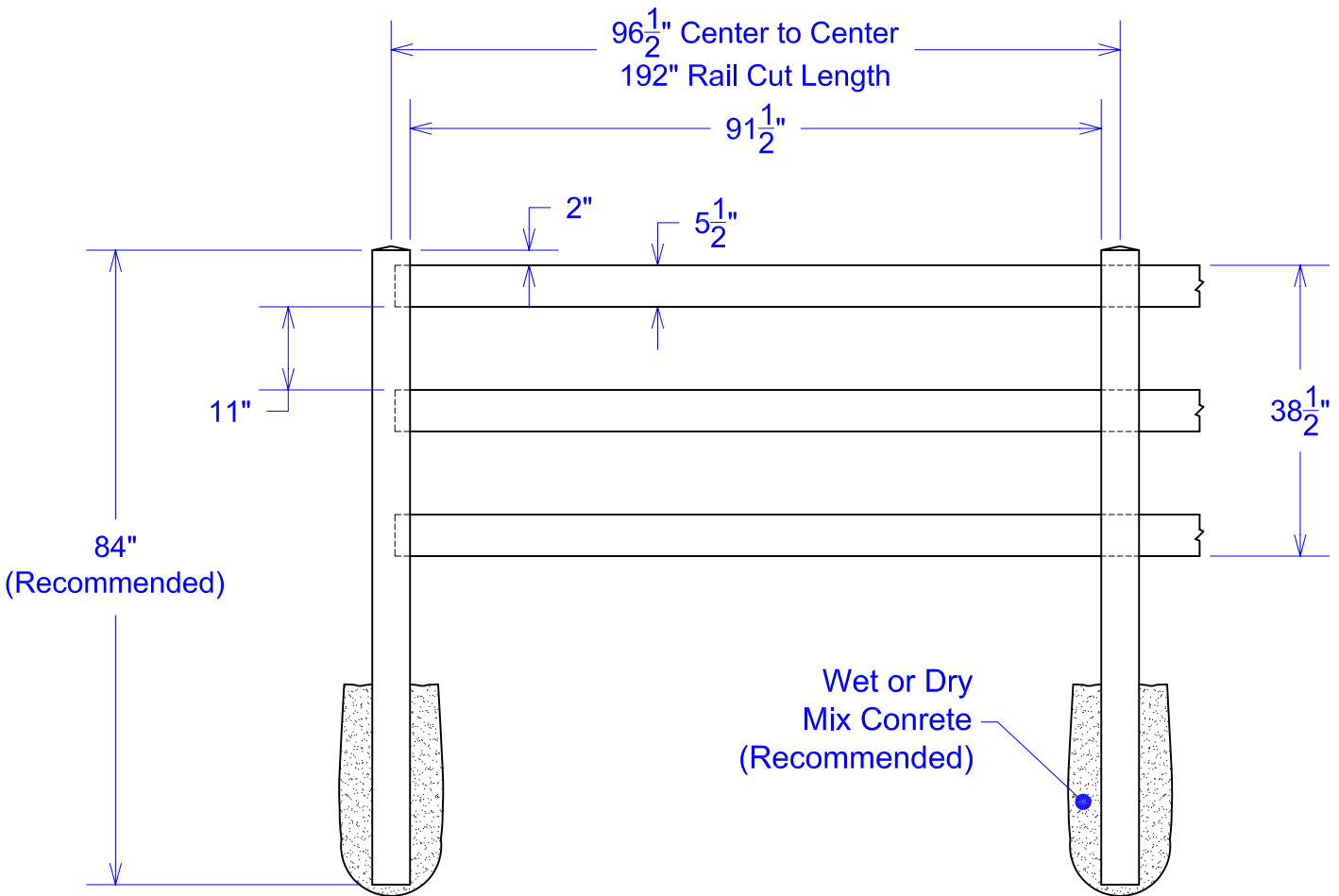
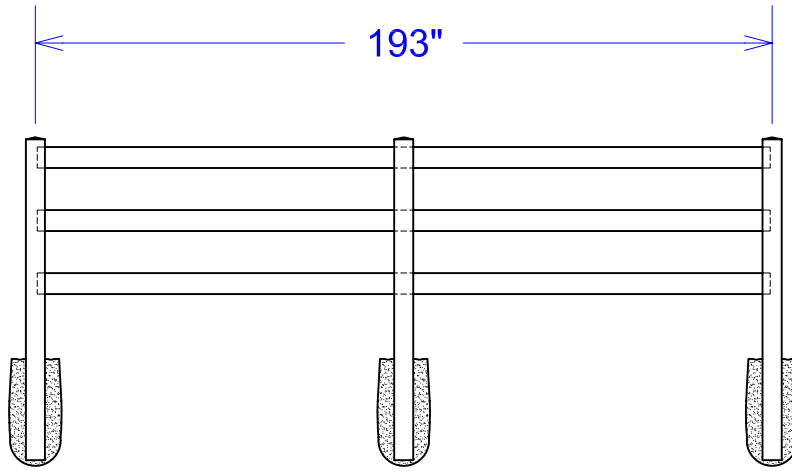


1½" x 5½" Hole for Rail in the Post (TYP)  
Locate as Shown

Glue Post Cap to Post  
(Internal Cap Shown)

(3) 1½" x 5½" Rails  
Slide into Post 2"

5" x 5" Post



Material
1-1/2" x 5-1/2" x 192" Rails
5" x 5" x 84" Posts

Options
Notched
Drilled for Clips