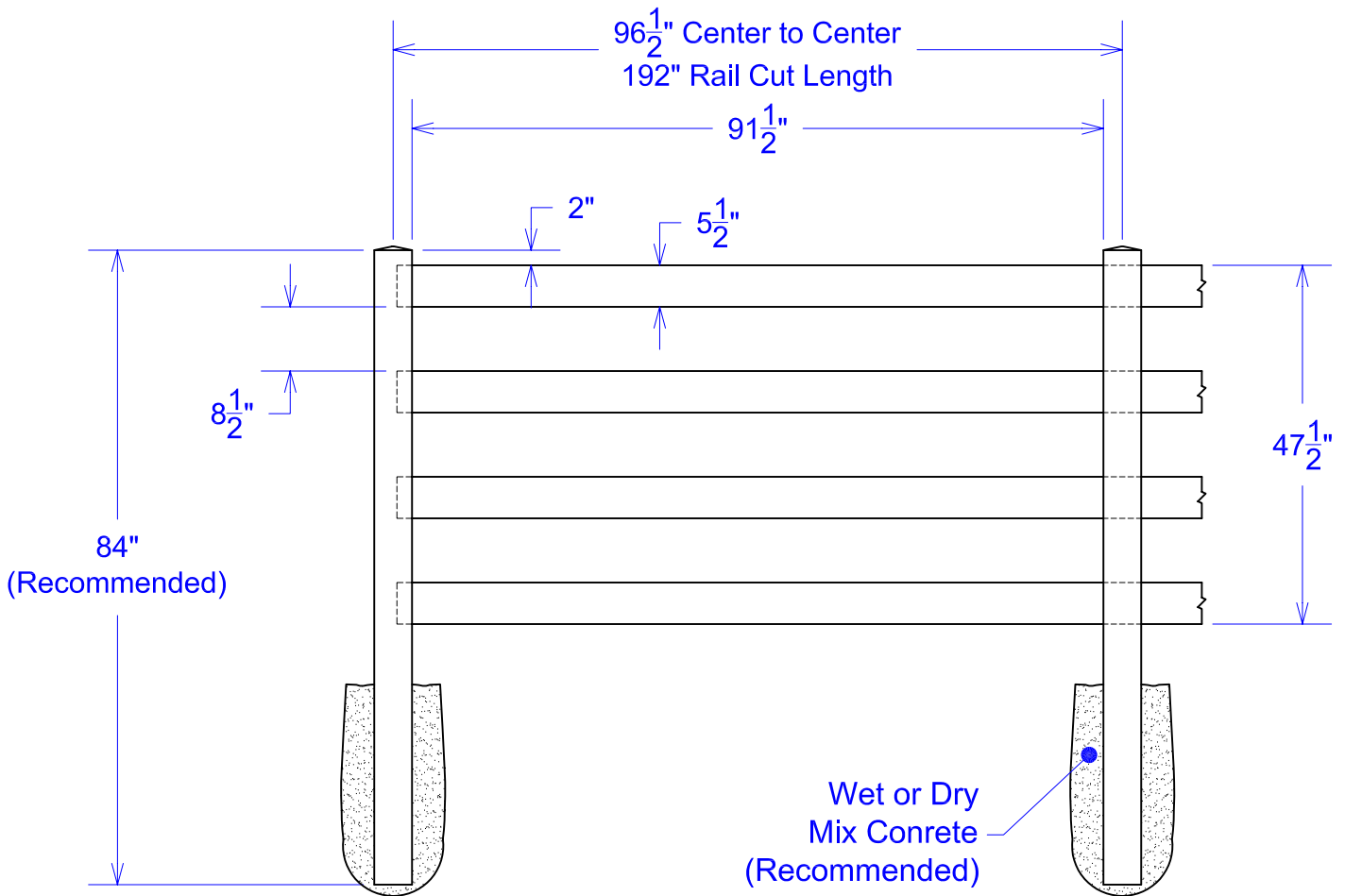
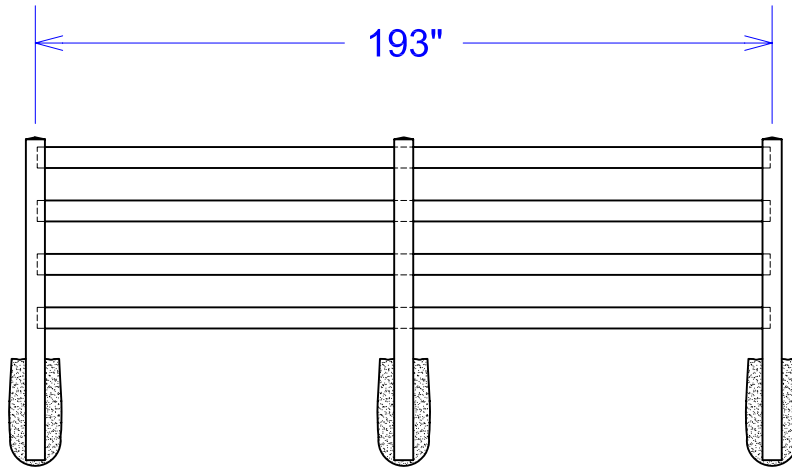


1 1/2" x 5 1/2" Hole for Rail in the Post (TYP)
Locate as Shown

Glue Post Cap to Post
(Internal Cap Shown)

(4) 1 1/2" x 5 1/2" Rails
Slide into Post 2"

5" x 5" Post



Material
1-1/2" x 5-1/2" x 192" Rails
5" x 5" x 84" Posts

Options
Notched
Drilled for Clips



894 Prairie Avenue
 Wilmington, Ohio 45177

Phone: (937) 383-2004 Fax: (937) 383-2022

Drawn By:
 A.G. Bailey

Four Rail Fence
 Ranch Rail

Scale:
 NTS
 Date:
 3/28/01